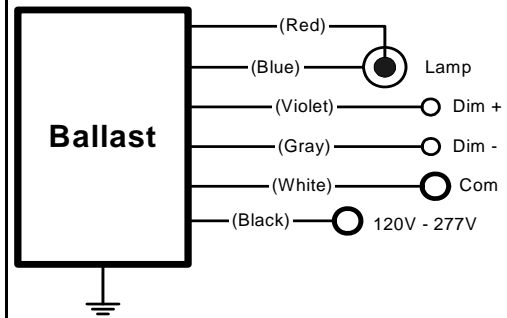
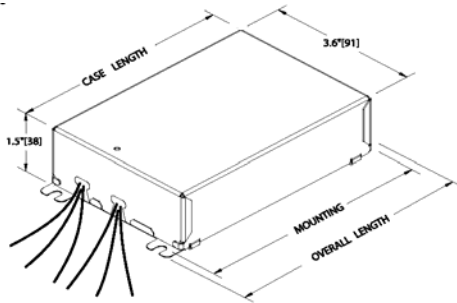
	e-Vision® Electronic Dimming Ballast for Metal Halide Lamps	Catalog Number: IZTMH-150-C For 150W Metal Halide Lamps ANSI M102 or M142 120-277V 50/60Hz Electronic Status: RELEASED
---	--	--

DIMENSIONS AND DATA										
Lamp		Input Volts	Catalog Number*	Line Current (Amps)	Input Power (Watts)	Min Power Factor	Wiring Diag	Fig.	Weight (lb)	Max. Distance to Lamp (ft)
Number	Watts									

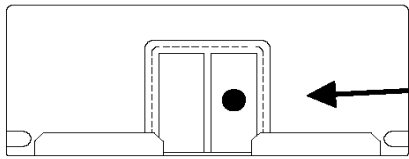
150 Watt Lamp, ANSI Code M102 or M142 Minimum Starting Temp -30°C/-20°F										
1	150	120 277	IZTMH-150-C-XXX	1.4 0.6	169 166	1	9	C	2.5	5



Ballast Case must be Grounded

Wiring Diagram 6

Case Figure	Overall Length	Case Length	Case Width	Height	Mounting Length	Mounting Width
C	204mm [8.0"]	184mm [7.2"]	92mm [3.6"]	38mm [1.5"]	195mm [7.7"]	73mm [2.9"]



MEASURE CASE TEMPERATURE ON RIGHT HEAT SINK CLIP AT BALLAST END



- INSTALLATION & APPLICATION NOTES:**
1. Maximum allowable case temperature is 85°C. See figure above for measurement location
 2. Ignition pulse is 4 kV max
 3. All leads are 12 inches long
 4. Ballast output will shutdown after 20 minutes if lamp fails to ignite
 5. Power must be cycled off – then on, after replacing lamp
 6. Ballast automatically operates lamp at 100% power for 15 minutes before allowing lamp to dim
 7. Minimum dimming level = 60% of nominal lamp power
 8. Maximum dimming control current is 0.5 mA per ballast

*Ordering Information	
Order Suffix	Description
-LF	Ballast with side exit leads and mounting feet

Data is based on tests performed by Philips Advance in a controlled environment and is representative of relative performance. Actual performance can vary depending on operating conditions. Specifications are subject to change without notice. All specifications are nominal unless otherwise noted.