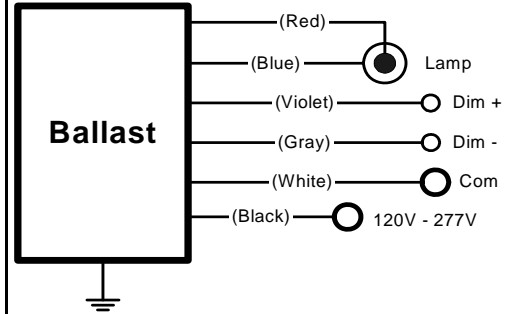
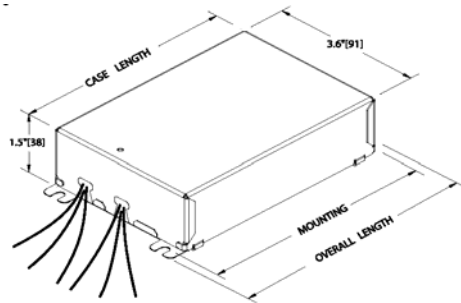


	<b>e-Vision® Electronic Dimming Ballast for Metal Halide Lamps</b>	Catalog Number: IZTSN-150-C For 150W High Pressure Sodium Lamps ANSI S56 120-277V 50/60Hz Electronic Status: RELEASED
-----------------------------------------------------------------------------------	--------------------------------------------------------------------	-----------------------------------------------------------------------------------------------------------------------------------

DIMENSIONS AND DATA										
Lamp		Input Volts	Catalog Number*	Line Current (Amps)	Input Power (Watts)	Min Power Factor	Wiring Diag	Fig.	Weight (lb)	Max. Distance to Lamp (ft)
Number	Watts									

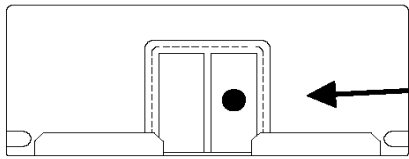
150 Watt Lamp, ANSI Code S56 Minimum Starting Temp -30°C/-20°F										
1	150	120 277	IZTSN-150-C-XXX	1.4 0.6	169 166	1	9	C	2.5	5



Ballast Case must be Grounded

Wiring Diagram 6

Case Figure	Overall Length	Case Length	Case Width	Height	Mounting Length	Mounting Width
C	204mm [8.0"]	184mm [7.2"]	92mm [3.6"]	38mm [1.5"]	195mm [7.7"]	73mm [2.9"]



MEASURE CASE TEMPERATURE ON RIGHT HEAT SINK CLIP AT BALLAST END





EISA Compliant

- INSTALLATION & APPLICATION NOTES:**
1. Maximum allowable case temperature is 85°C. See figure above for measurement location
  2. Ignition pulse is 4 kV max
  3. All leads are 12 inches long
  4. Ballast output will shutdown after 20 minutes if lamp fails to ignite
  5. Power must be cycled off – then on, after replacing lamp
  6. Minimum dimming level = 30% of nominal lamp power
  7. Maximum dimming control current is 0.5 mA per ballast

*Ordering Information	
Order Suffix	Description
-LF	Ballast with side exit leads and mounting feet

Data is based on tests performed by Philips Advance in a controlled environment and is representative of relative performance. Actual performance can vary depending on operating conditions. Specifications are subject to change without notice. All specifications are nominal unless otherwise noted.